

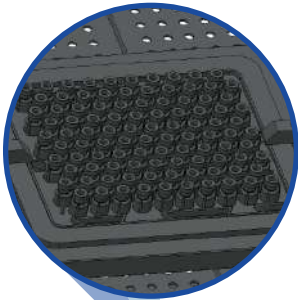


**TECHNICAL
SHEET**

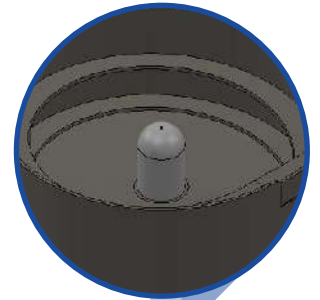


CR-7000

**SPECIAL CRIMPING / DECRIMPING STATION
FOR NESTED STERILE PHARMACEUTICAL
PACKAGING**



Direct crimping
in the various nested
formats



Compact vibrating bowl for
feeding the various caps

CHARACTERISTICS:

This new aseptic crimping robot has been developed and designed to meet pharmaceutical standards for the sterile packaging of powders and liquids.

With our technical know-how and experience, we have been able to create the most compact and functional crimping robot on the market.

It is designed to fill all types and formats of “nested trays” available on the market on an indexed X-Y table and to directly crimp the different vial formats in a repeatable and controlled manner with our patented universal crimping principle.

A compact universal vibrating bowl feeds the robot with caps via a chute: Depending on the cap types used, it is possible for a single bowl to handle several types of caps (for example, 13 mm flip-off and 20 mm flip-off caps in the same bowl).

Via the touch screen, the operator can select a pre-defined recipe and initiate automatic force-fed crimping. Installing the nested trays is very straightforward as the operator has direct access to the front of the robot. The work surface is guarded by a laser detector which nevertheless allows the operator access to the vibrating bowl to load the caps.

ADVANTAGES:

- You get a robot custom-made for your biosafety cabinet or work zone, installed flush with the work surface
- Compact and high performance
- Low particle emission
- Crimping head with special coating use in pharmaceutical industry and in cleanrooms
- Universal vibrating bowl, removable and compact
- For all sizes of vials packaged in nested trays
- Protected by laser detector
- Controlled by external touch screen
- Powered by mains electricity

DESCRIPTION	CAT. NO.
Crimptronic CR-7000 electronic crimping station (complete station without crimping head)	CR-7000



Crimping force adjustable according to the type of caps and seals



Maximum protection by laser scanner



Runs on standard 230V / 50Hz mains power supply



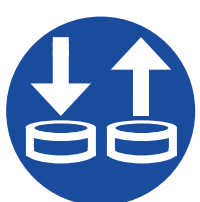
Average throughput vials / hour



Crimping of vials in nested arrays (trays)



The dimensions are customised according to the size of your laminar flow biosafety cabinet



Able to crimp and decrimp



Universal vibrating bowl, compact form
Depending on the cap type, a single bowl can handle several types of caps, for example: 13mm flip-off and 20mm flip-off caps in same bowl



Control via touch screen
Intuitive and user-friendly program
Rapid changeover between formats
Individual recipe programming



Made in France



10-year service life



Installation qualification & operational qualification report and protocol (IQ/OQ validation)



Please contact us if you want to find out more



* **Note:** Accessories | Safety covers for crimping/decrimping heads.
The use or not of a cover will not influence the quality of crimping but will facilitate safe use and optimum guidance of the caps.